

SG... ZZ / 2RS

◆ Feature:

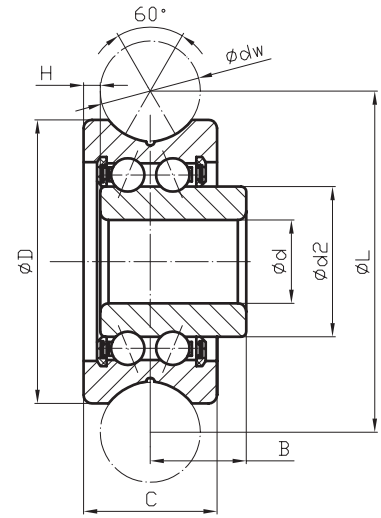
The function of series SG rollers are same as the series LFR rollers. But they are mainly used in the flat track and in the condition required compact structure. After rollers are installed to the slider, the shaft will be not or seldom over the roller's side planes.

◆ Material of Rings and Balls:

High carbon steel-AISI 52100
Stainless Steel - AISI 440 C

◆ Shields and Seals (suffix):

ZZ - double metal shields
2RS - doubleNBR seals



C&H	Dimensions(mm)								Load Ratings(N)		Limiting Speed(r/min)		Weight ~(kg)
	dw	d	D	C	B	L	d2	H	Cr	Cor	ZZ	2RS	
SG15	6	5	17	8	5.75	20.46	8.6	1	12700	8200		15000	0.008
SG15-10	10	5	17	8	5.75	25.5	8.6	1	12700	8200		15000	0.009
SG20	8	6	24	11	7.25	28.62	11.1	1.2	34000	17000		12000	0.025
SG25	10	8	30	14	8.5	35.77	13	1.5	36700	22800		11000	0.049
SG35	12	12	42	19	12.5	48.93	18	1.5	85000	51000		7000	0.136
SG15N	6	5	17	8	5.75	20.46	8.6	0.5	12700	8200		15000	0.008
SG20N	8	6	24	11	7.25	28.62	11.1	0.7	34000	17000		12000	0.025
SG25N	10	8	30	14	8.5	35.77	13	1	36700	22800		11000	0.049
SG35N	12	12	42	19	12.5	48.93	18	1	85000	51000		7000	0.136